

PIA Paltech Compact Palletizer

The Paltech was designed to fulfill your companies palletizing needs.



The PIA Paltech Palletizer is a cost saving solution that was designed to fulfill your companies palletizing needs.

Our Palletizer consists of a rotary column robot with a gripper that can palletize open crates, kegs, bags as well as boxes on either the ground or on roller conveyors.



With a footprint of only 2,8 x 2,8 x 2,8 m, the Paltech is extremely compact in size and is capable of being installed in a very confined and limited space.

The Paltech is a 4-axis robot that uses servo motors, which results in high precision product positioning and palletizing.

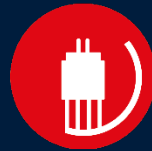
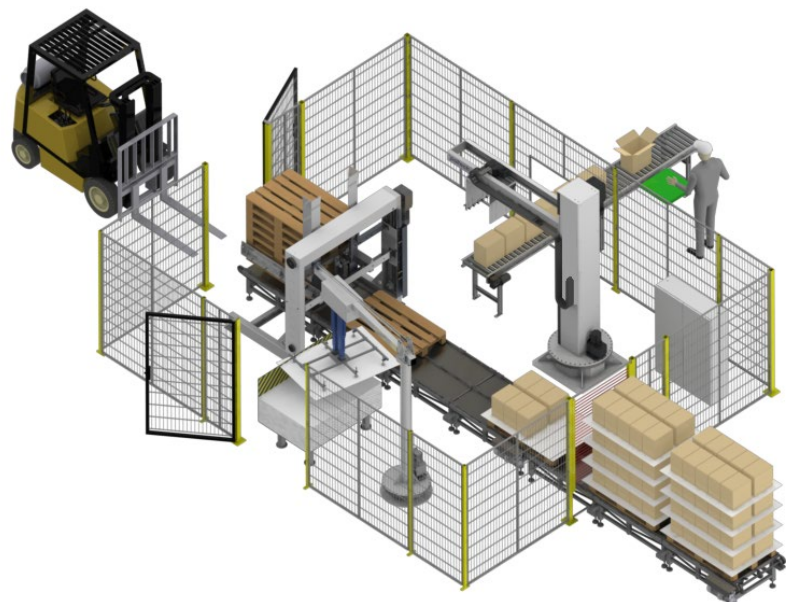
The robot can be fitted with various gripping tools, therefore it can palletize your products in a multitude of different pallet patterns and layers.



Our easy to use management software enables operators to quickly change the pallet pattern or work program on the fly, without any changeover.

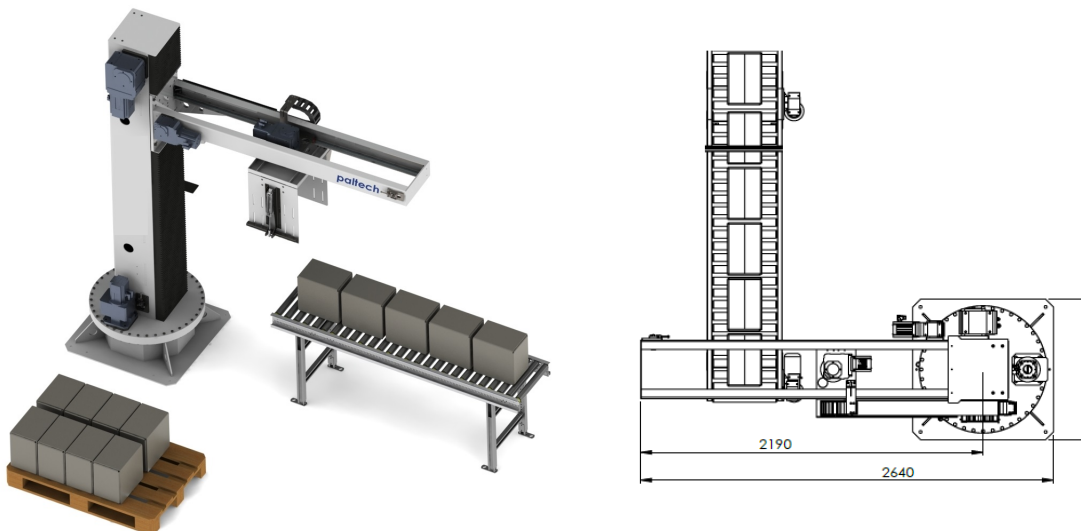
Complete Paltech Palletizing System:

- 4-Axis Paltech Robot
- Automatic Pallet Dispenser
- Automatic Slipsheet Dispenser
- Automatic Conveying Network



Paltech Palletizer – Technical Specifications

Products to Palletize	Kegs, Boxes, Open Plastic Crates, Heavy Bags
Product Weight	50kg
Speed	Up to 4 cycles / minute
Pallet Sizes	800 x 1200 mm , 1000 x 1200 mm , Custom Sizes
Final Pallet Height	Up to 1800 mm (including pallet height)
Machine Footprint (w x l x h)	2,8m x 2,8m x 2,8m
Machine Net Weight	1000kg
Pneumatic Air Pressure / Power	6,0 Bars / 8kW—400V
Servo Motors/Pneumatics	Stöber Germany / SMC
Standard Control system	Siemens TIA-Portal and alternatives
Finish	Painted or Powder Coated Steel
Interlayer Slipsheets Available	Yes
Industries	Food & Beverage, Breweries, Dairy, Carton, Consumer Care



Technische Änderungen und Druckfehler vorbehalten!